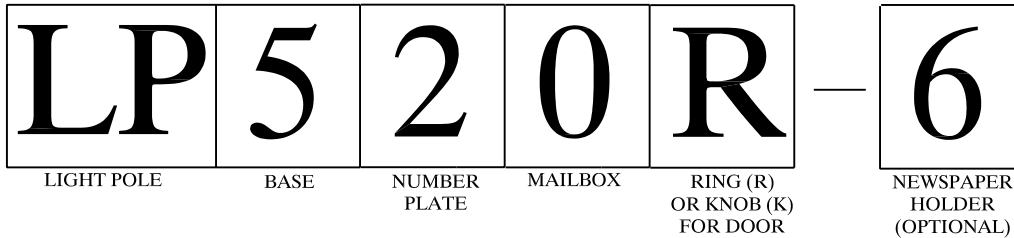




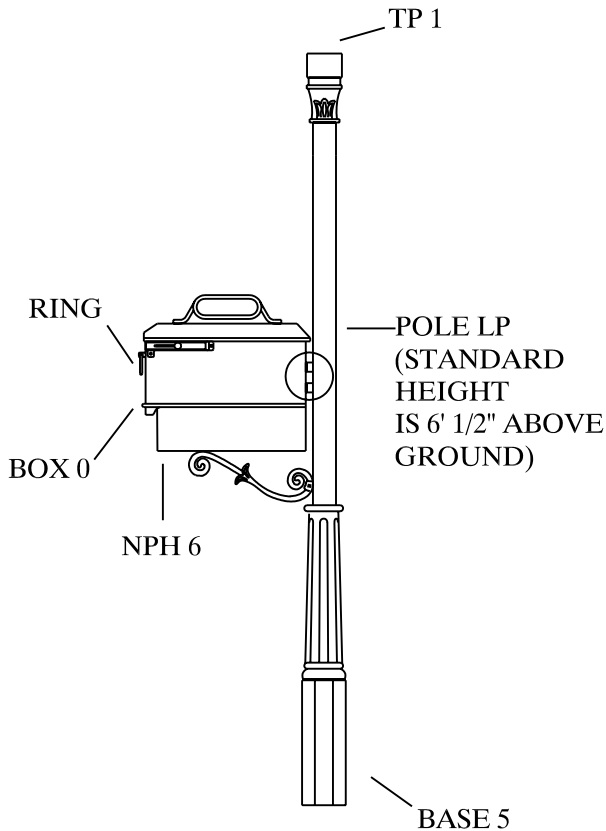
LIGHT POLE MAILBOX SYSTEMS

Imperial mailboxes can be mounted to light poles to combine two streetscape solutions.

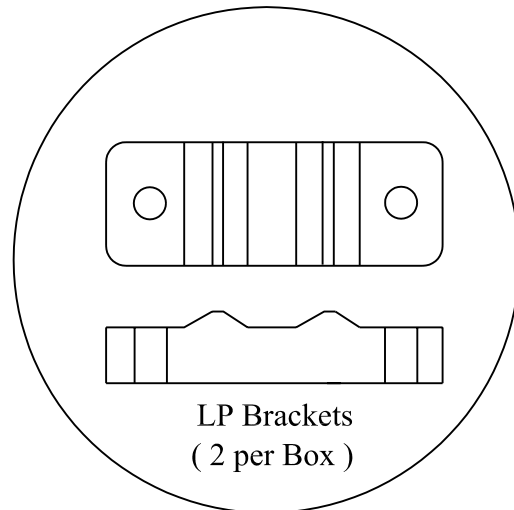
SYSTEM CODE SPECIFICATION



SYSTEM RENDERING FROM
CODE SPECIFIED ABOVE:



- MAILBOXES ARE MOUNTED
DIRECTLY TO THE LIGHT
POLE WITH LIGHT POLE (LP)
BRACKETS.



* LIGHT FIXTURES
SHOWN SOLD
SEPERATELY.